

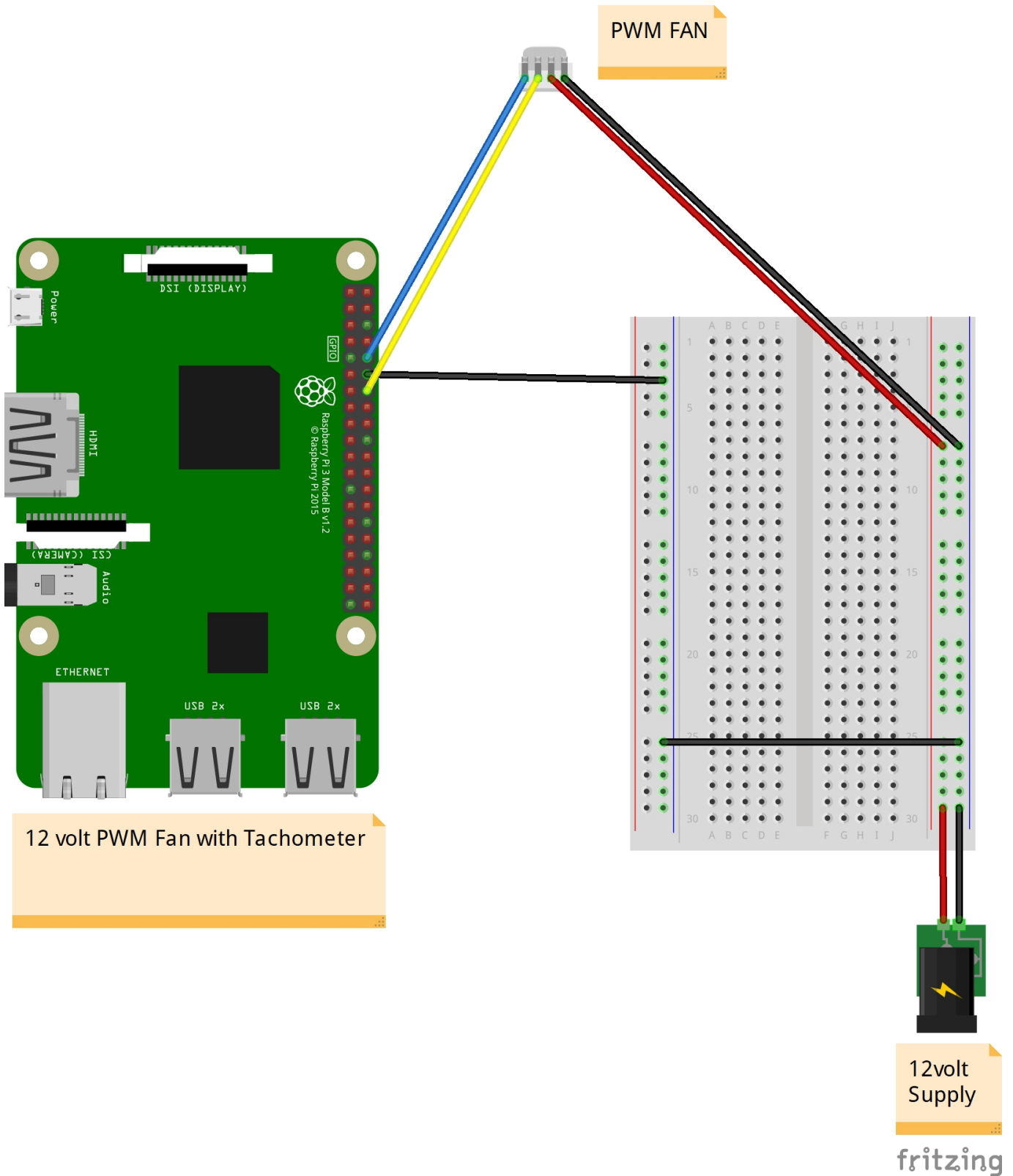


**DOWNLOAD**



**DOWNLOAD**

[VSCode – Build And Run C DotNetCore Projects In RaspberryPi](#)



[VSCode – Build And Run C DotNetCore Projects In RaspberryPi](#)



**DOWNLOAD**



**DOWNLOAD**

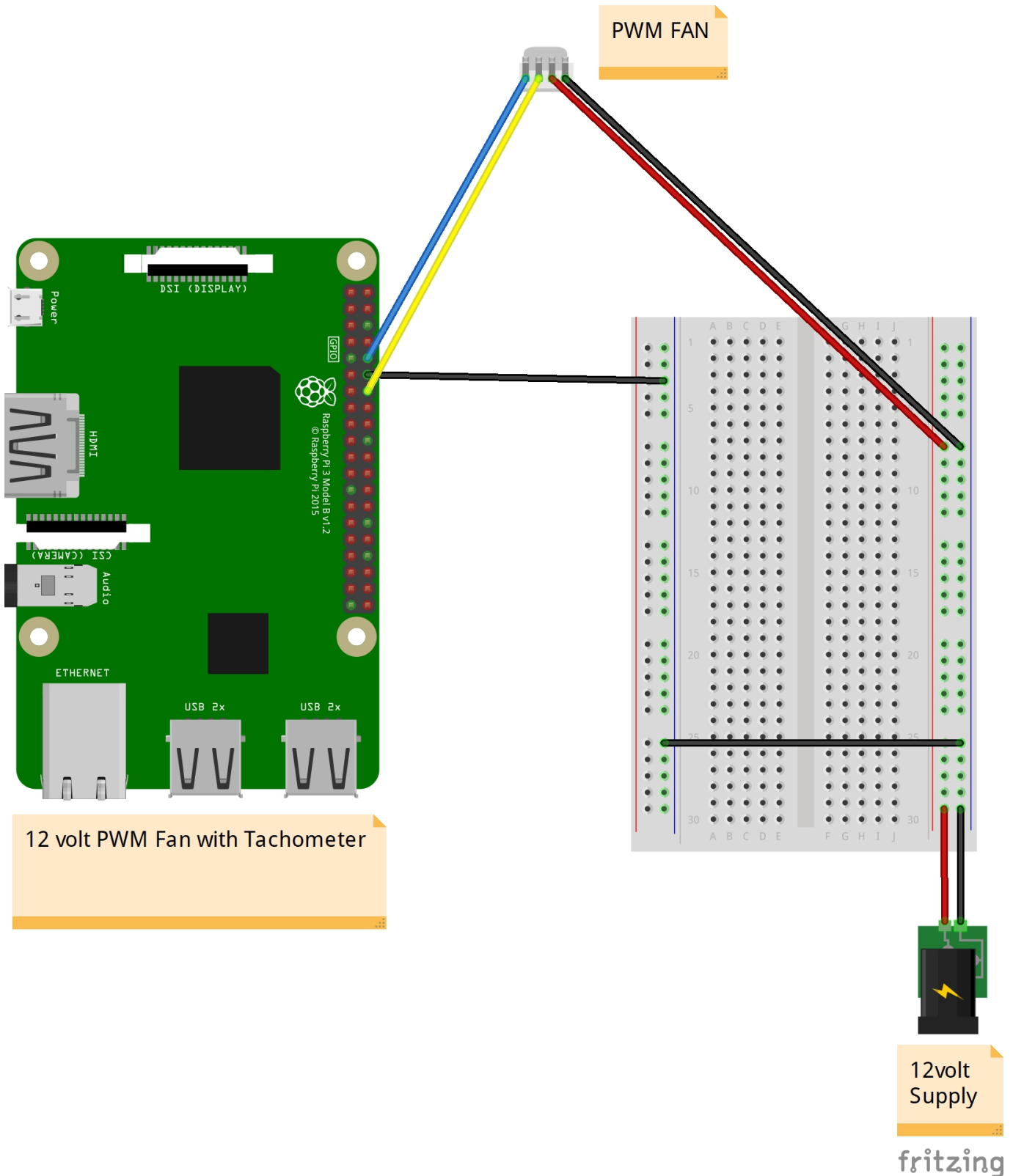
---

NET Core CLI, create a Docker image, and run it as a container. The entire ... NET Core SDK; Visual Studio Code with Docker extension; Docker ... NET project with an Angular app in its ClientApp folder. ... FROM mcr.microsoft.com/dotnet/core/sdk:3.1 AS build ... NET Core App on Raspberry Pi With Docker.

Net Preview 4 of Dot Net Core Blazor up and running on a Raspberry Pi. I had to make a few adjustments to bring this up to date with the release ... at Microsoft, Blazor is Web UI Framework which is based on C#, Razor and HTML. ... First, let's open our project in Visual Studio Code... if you're on Windows ...

### [Amulet Media Center](#)

Comfortable Visual Studio Code and Raspberry Pi remote debugging I am starting ... As a server for your home automation project, a 3D printer controller, a simple ... 17 Sep 2019 I can compile and run the C# code with no issues, however I am ... dotnet / core. com/hukatama024e/items /9f96730381f0a34c6da6 – VS Code .... follow request to @elbruno. More. Copy link to Tweet; Embed Tweet. #VSCode – Build and Run C# #DotNetCore projects in #RaspberryPi .... Develop a C# . ... NET Core IoT projects on Linux, macOS and Windows desktops. ... Bindings package, and then launch Visual Studio Code. ... Threading; namespace dotnet.core.iot { class Program { static CpuTemperature .... The project started as a hard fork of vscode-yaml , that eventually was mainly ... Aug 20, 2019 · #VSCode – Installing Visual Studio Code in a #RaspberryPi, ... Visual Studio Code provides excellent intellisense for JavaScript, TypeScript, and C#. ... VSCode allows you to create and run Custom Tasks. org A community-driven ... [Adobe Reader 7.0 Download Chip](#)



[Change Your "Start windows" Sound](#)

[Nokia 7 plus. Don't forget, it's on the way!](#)

Running a TFS Build Agent on your Raspberry PI / ARM based device ... Http.Native.so) Dependencies is missing for Dotnet Core 2.1. Fail. NET Core runtime on a Raspberry Pi running Raspbian, and as always, there are ... On your development

---

machine, install the Raspberry Pi C# template for dotnet core. ... NET Core IoT Project”, highlighted in red below. ... tool (mine is VSCode), you'll see some files – we need to make a couple of changes.. NET Core SDK is available on ARM32/ARM64 which is used by Raspberry Pi but ... it's more convenient to cross build (i.e. dotnet publish -r linux-arm ) binaries from .... If you have a Raspberry Pi 3 with Raspbian on it like I do, check out <https://dotnet.microsoft.com/download/dotnet-core/2.2> and note that last part of the URL. You can ask for /2.1, ... NET Core runtime (for running stuff) as well as all the ASP. ... Electron for information, is what Visual Studio Code is build upon. [Als der Vatikan gehackt worden war](#)

### [Pillars of Eternity II Deadfire Beast of Winter Mac Free Download Game](#)

... to run this: `sudo echo "PATH=\$PATH:home/raspbian/dotnet" >> dotnetcore.sh` ... I also recommend you to install VS Code, which will be usefull to work with . ... This will create a really simple project: ... NET Core and run a simple application on raspberry pi. ... C# · dotnet · Raspberry Pi · VSCode · Winscp .... ... have 16ms to render everything (William Candillon); #VSCode – Build and Run C# #DotNetCore projects in #RaspberryPi (Bruno Capuano) .... You can't run ARM64 version of .NET Core runtime or SDK on a Raspberry Pi 4 with the official Raspbian ... ... Optional: Visual Studio Code / Visual Studio on your desktop machine to create a sample project ... On your desktop machine, open <https://dotnet.microsoft.com/download/dotnet-core/3.1..> When using a remote connection, Visual Studio builds C++ Linux projects on the ... You can quickly create Always Feb 27, 2019 · Visual Studio Code with the C# extension installed. ... Visual Studio Code Remote Development over SSH to a Raspberry Pi is butter. ... In your Git client, run: `git remote set-url`. Create a new git repository in the ADO Project, or link to an existing. org, ProGet, or any ... Azure DevOps pipeline which versions the module and runs Pester tests. ... should be restored with the same version of dotnet core as it will build it. ... Git, HowTo, Raspberry PI, Visual Studio Code 10 Comments on #VSCode – Let's ... 82abd11c16 [Recover My Files 6.3.2.2553 Crack + License Key 2020](#)

82abd11c16

[Moto Z2 Play Android Oreo \(8.0\) Update Starts Rolling Out in...](#)  
[Avast Premier Licence 2020 Key + Activation Code Work till 2050](#)  
[Sony Vegas Pro 2020 Crack With Serial Numbers + Free Download](#)